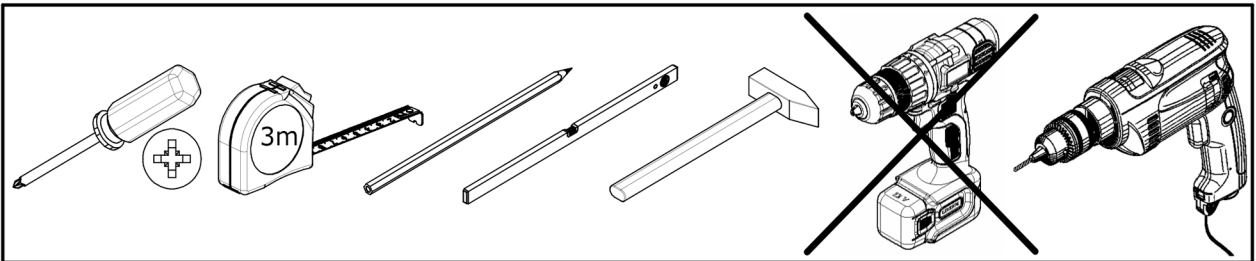
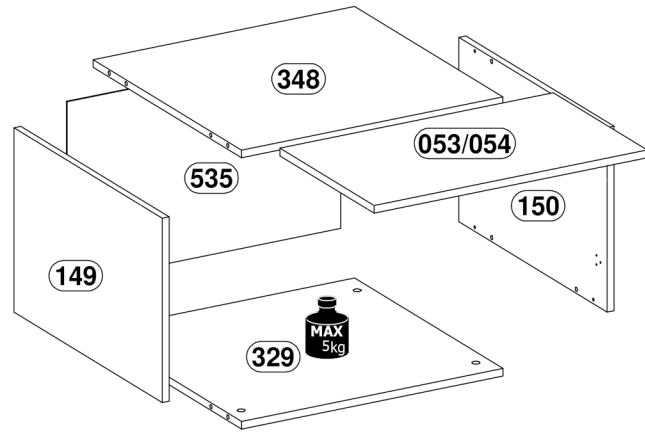
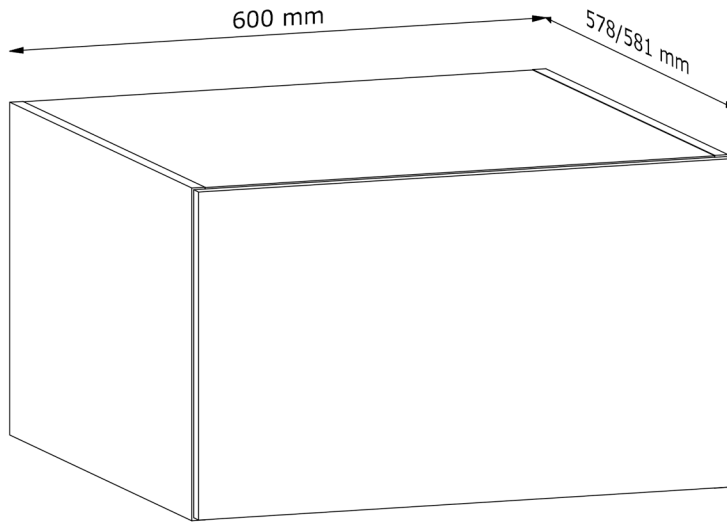


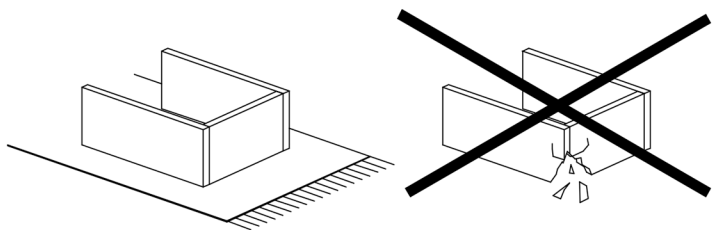
LANGEN

N60



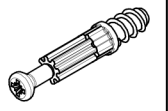
A1 x 8 Ø8x35mm	B1 x 8 Ø5x38mm	B6 x 2 Ø14x36mm	C1 x 8 Ø15x12mm	G1 x 20 26mm
I20 x 1 83x21x11mm	J10 x 8 Ø21mm	Q1 x 1 270mm	T4 x 1 75x28x16 mm	U19 x 1 300mm
W2 x 13 Ø3,5x16mm	W5 x 2 Ø4x30mm	Y1 x 2 Ø8x1,5mm	Z1 x 2 50x40, H=2	Z3 x 2 Ø35, ZK0

No.	L[mm]	W[mm]	H[mm]	PCS	BOX
053/054	596	355	15/18	1	2/2
149	560	360	15	1	1/2
150	560	360	15	1	1/2
348	570	560	15	1	1/2
329	570	560	15	1	1/2
535	597	356	2,5	1	1/2



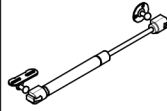
1

B1 x8



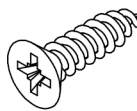
Ø5x38mm

Q1 x1

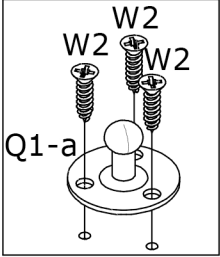
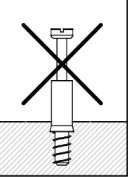
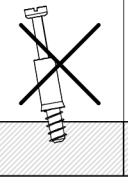
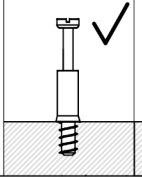
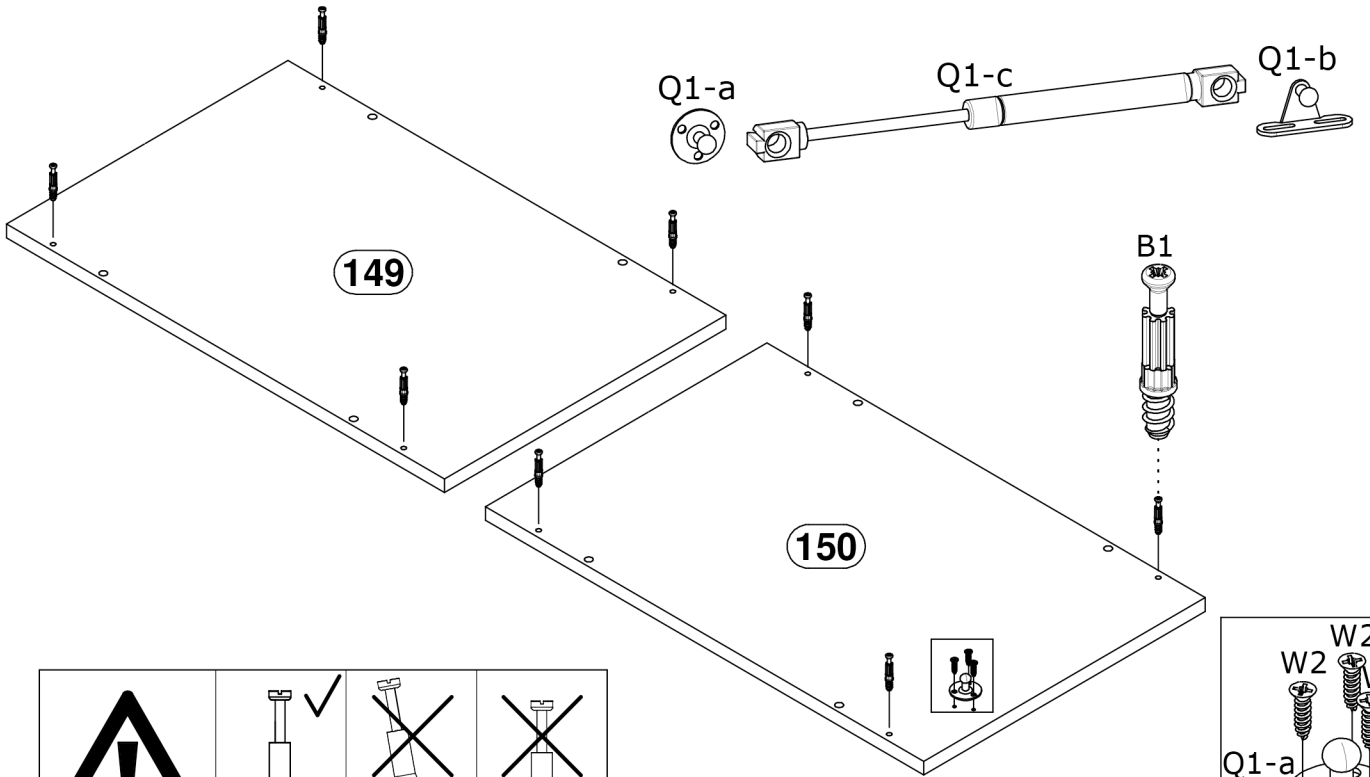
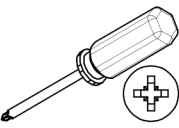


270mm

W2 x3

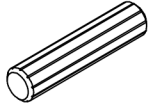


Ø3,5x16mm



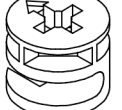
2

A1 x8



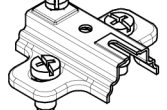
Ø8x35mm

C1 x8

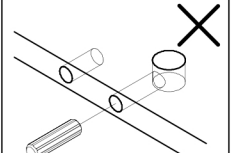
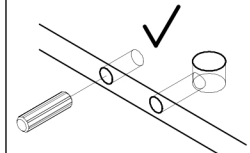
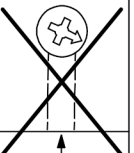
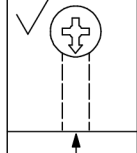
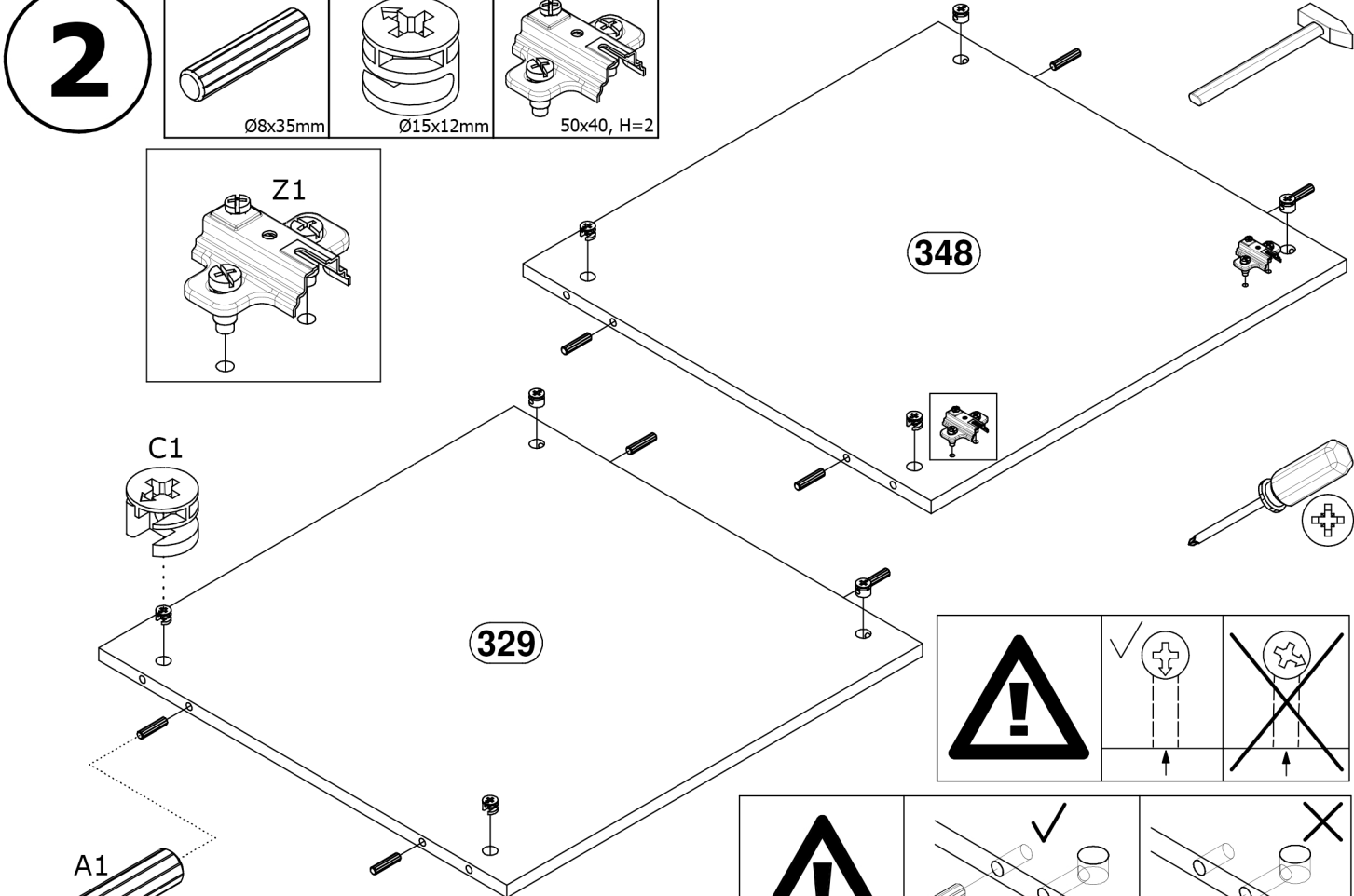
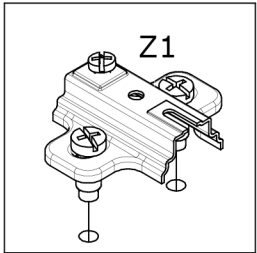
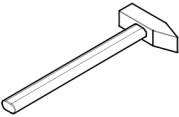


Ø15x12mm

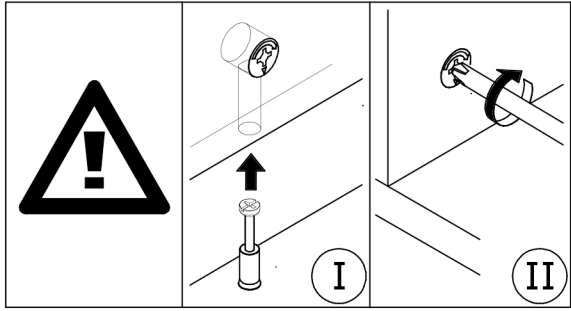
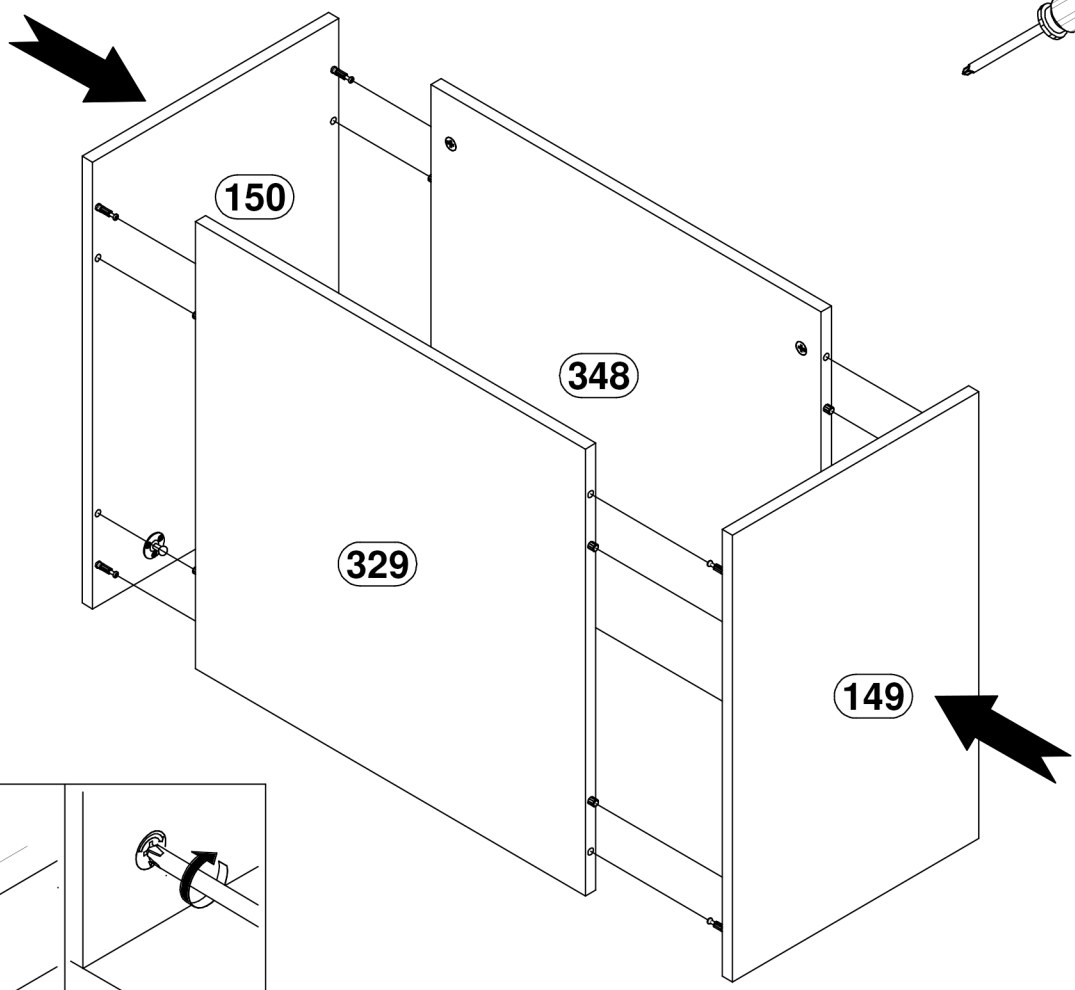
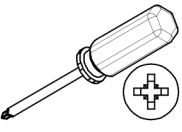
Z1 x2



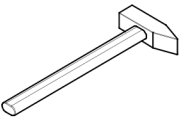
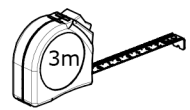
50x40, H=2



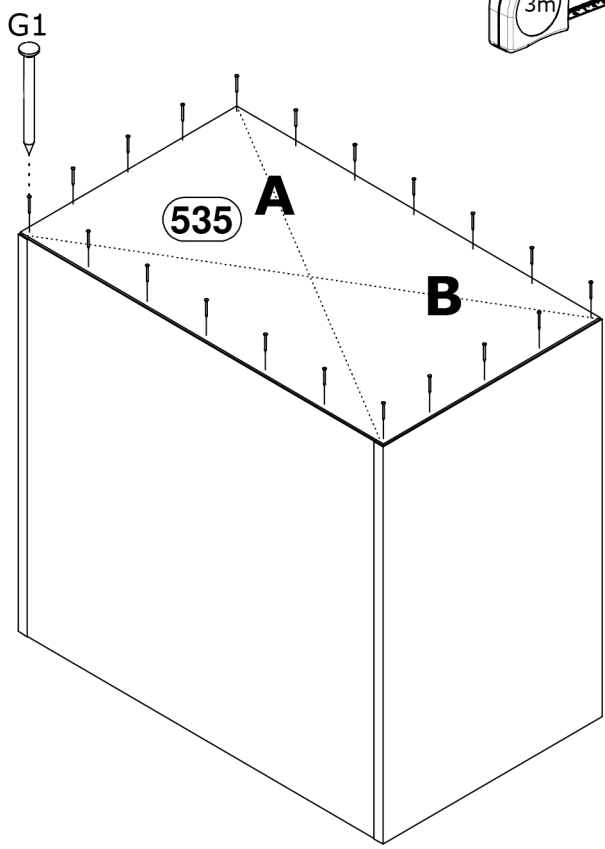
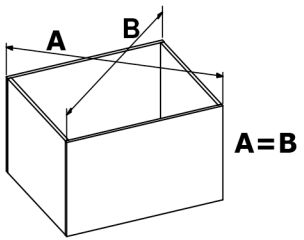
3



4

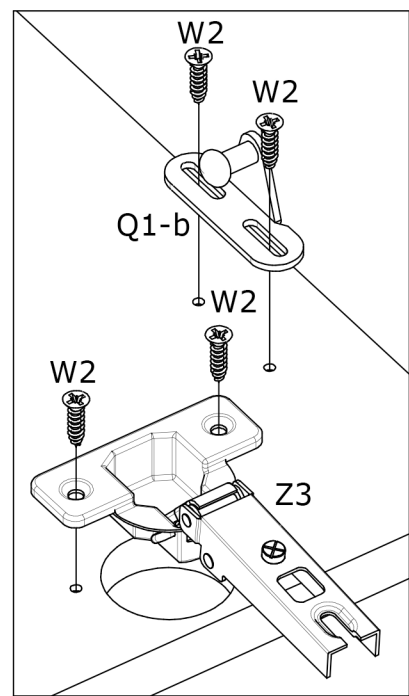
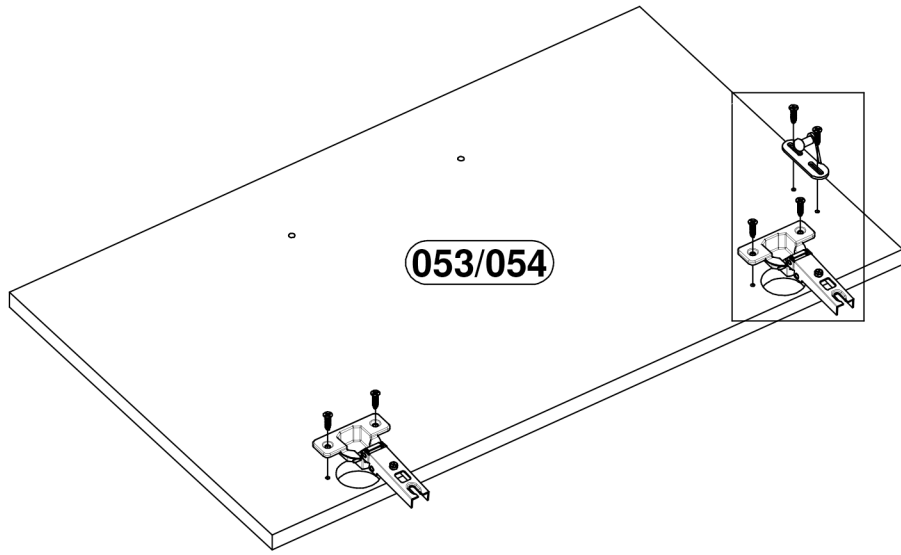
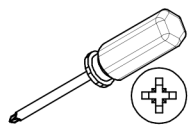


$A=B \equiv 90^\circ$

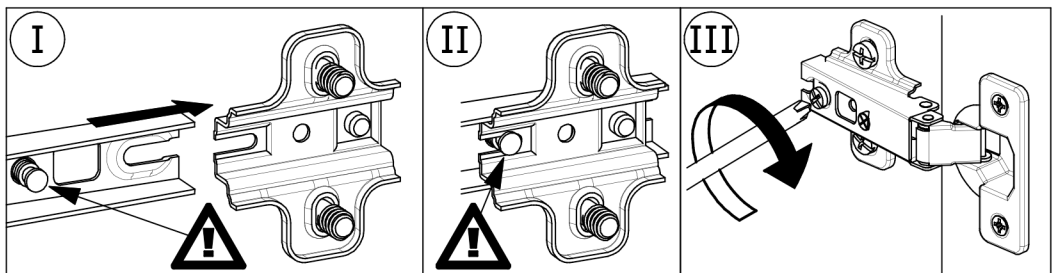
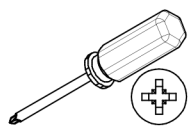
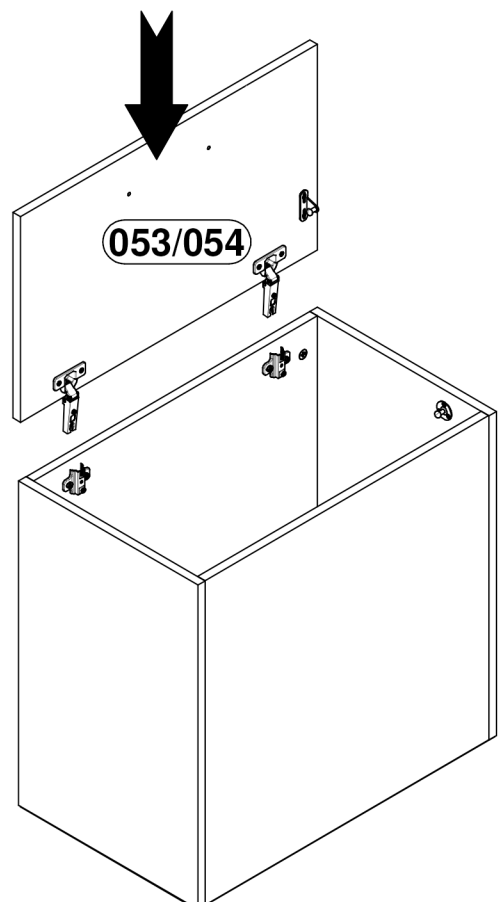


5

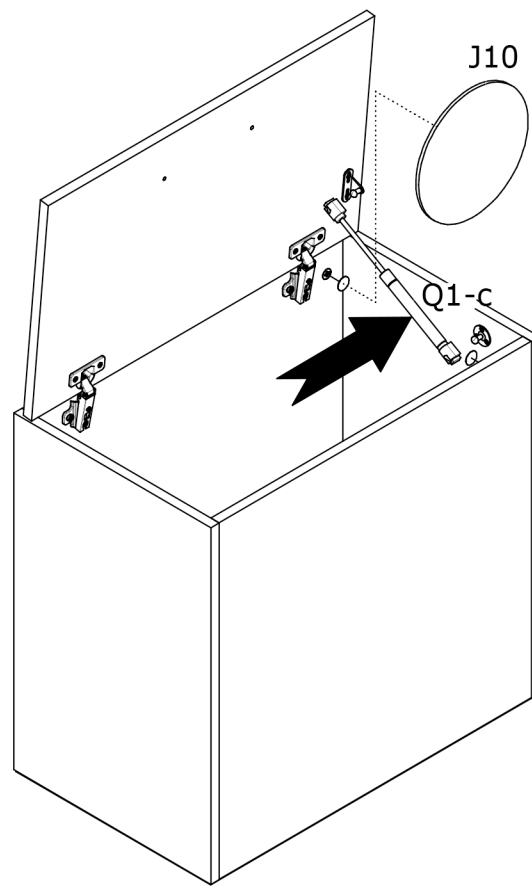
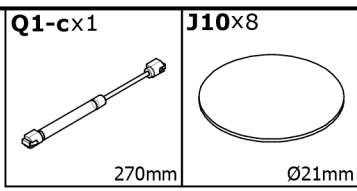
- Q1-bx1
 - W2x6
 - Z3 x 2
- 51mm Ø3,5x16mm Ø35, ZK0



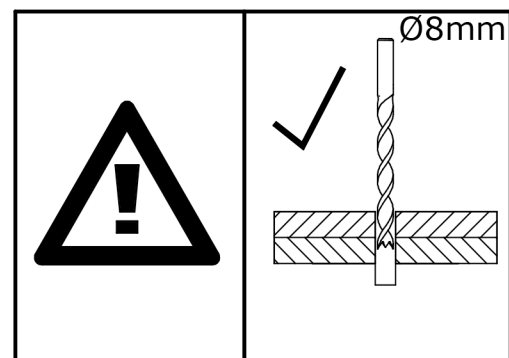
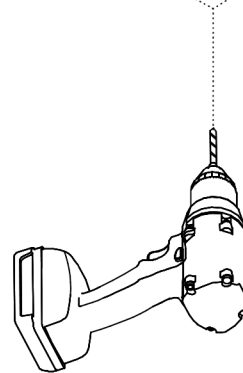
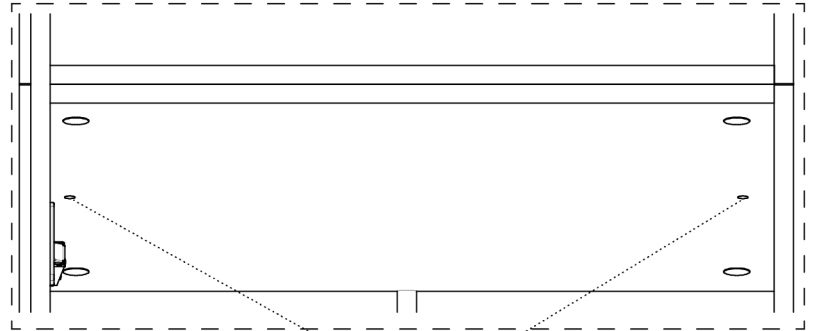
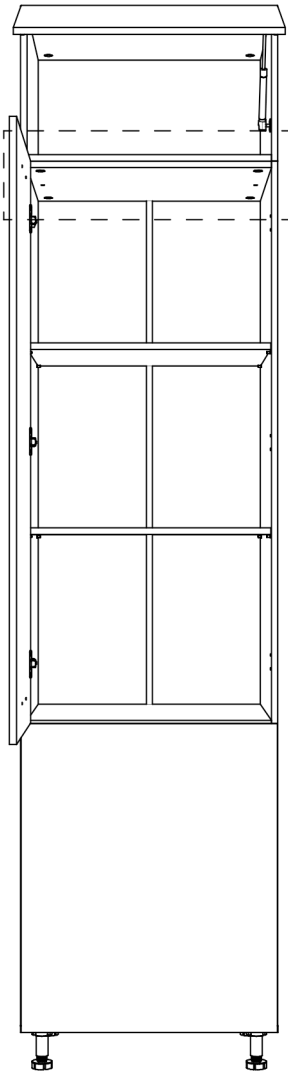
6



7

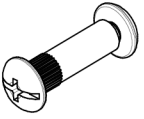


8

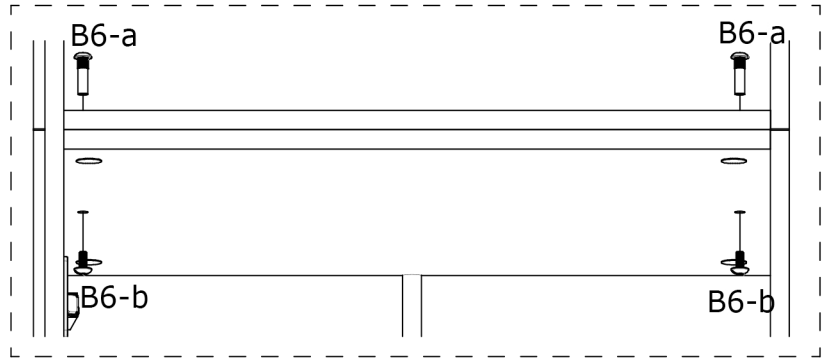
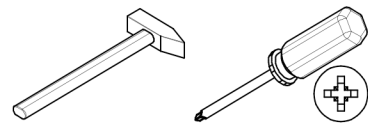
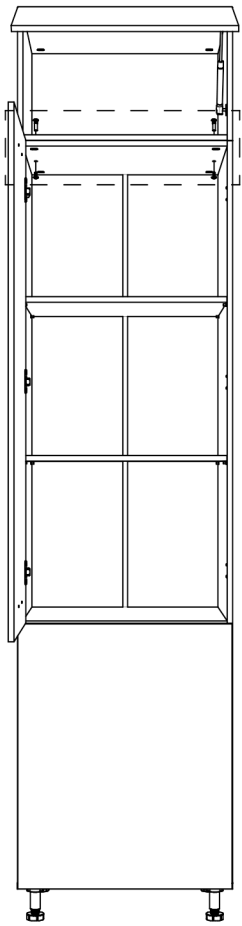


9

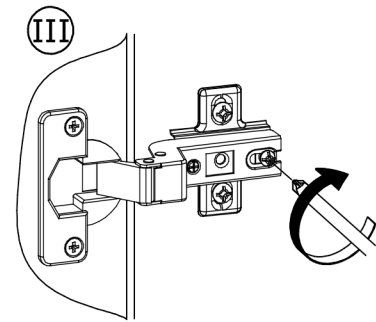
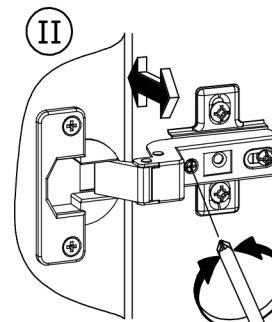
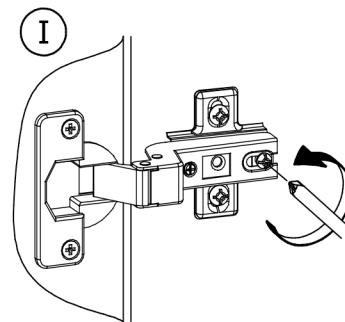
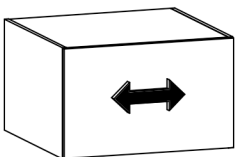
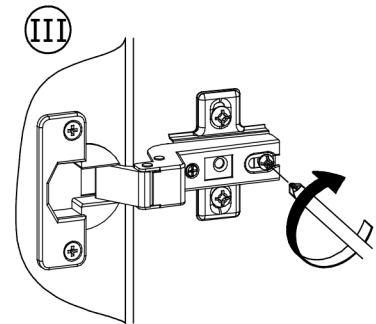
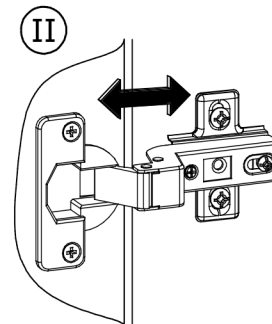
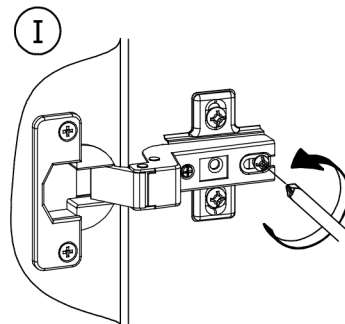
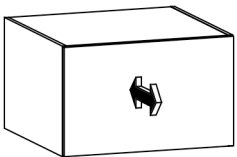
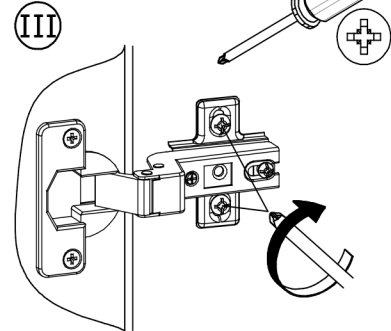
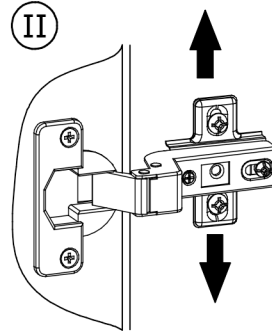
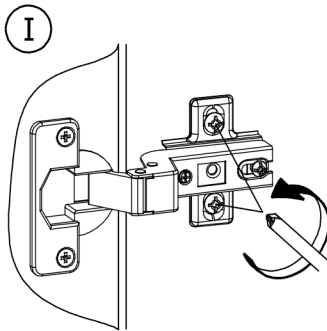
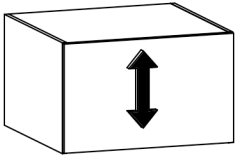
B6 x 2



Ø14x36mm



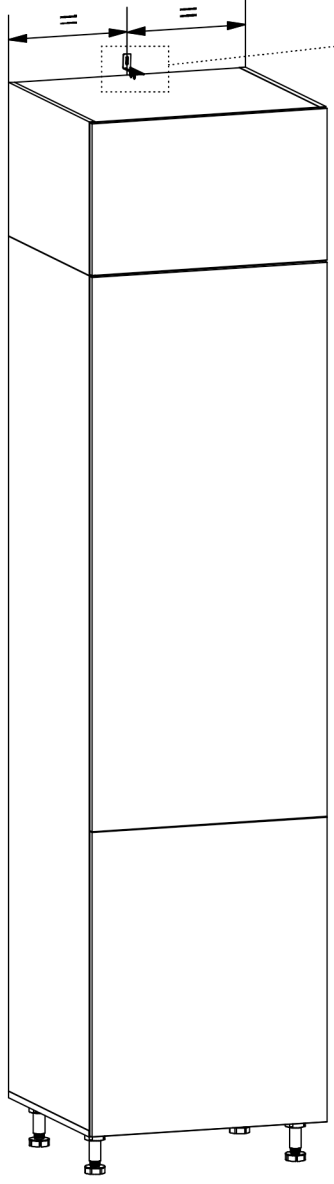
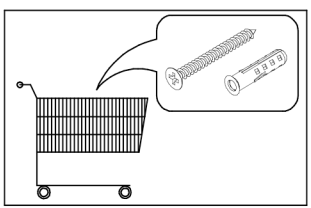
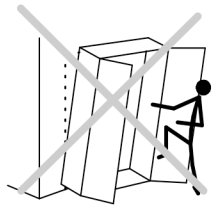
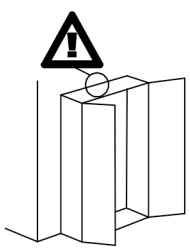
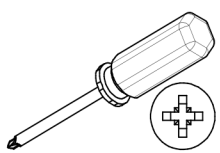
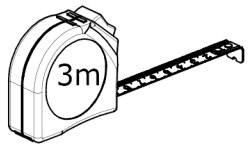
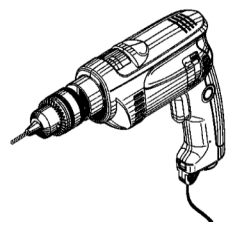
10



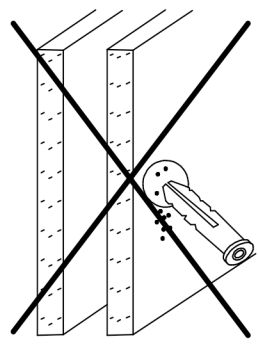
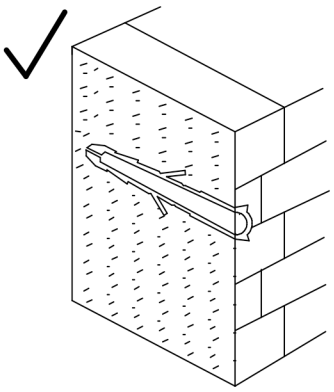
11

T4 x 1
75x28x16 mm

W2 x 2
Ø3,5x16mm



- I
- II
- III
- IV
- V
- VI

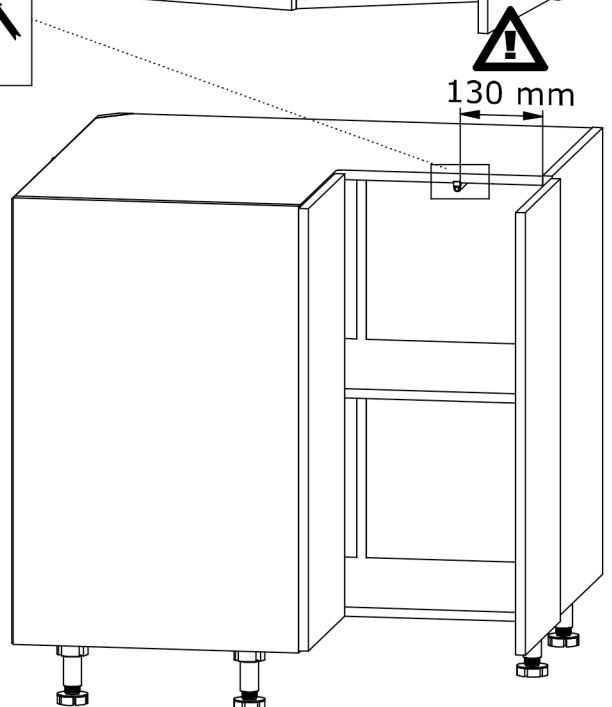
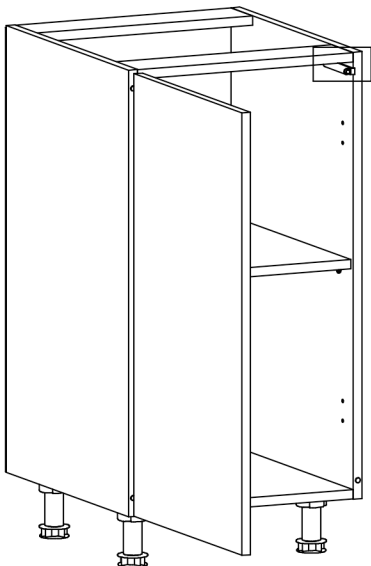
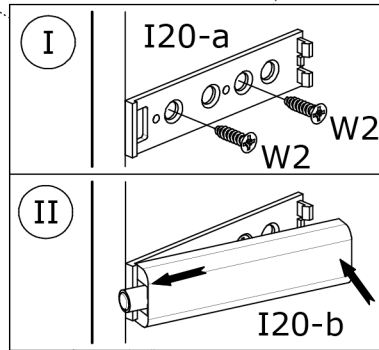
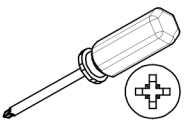
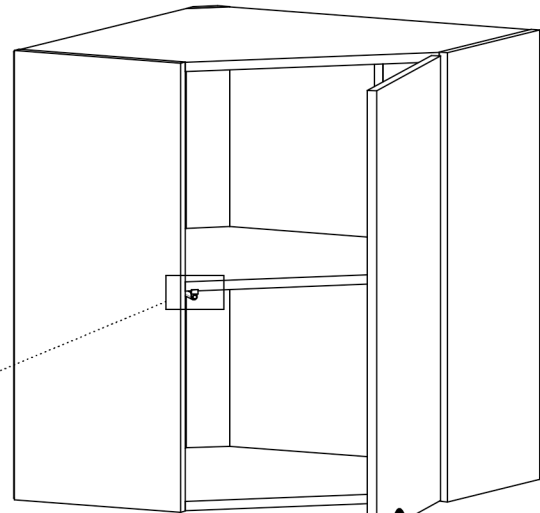
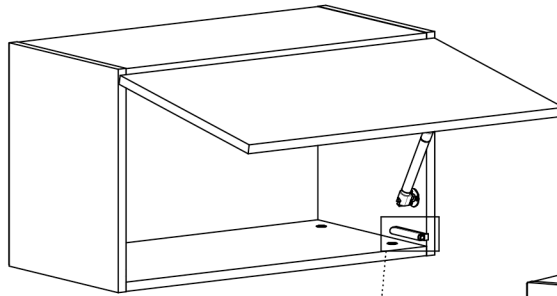
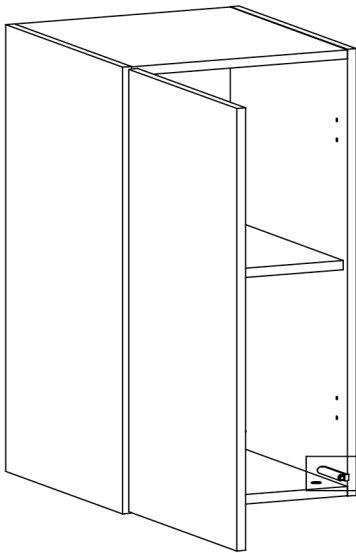
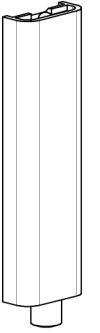
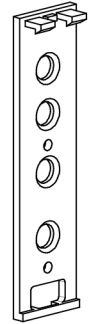
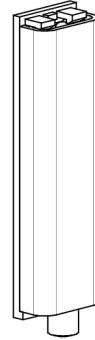
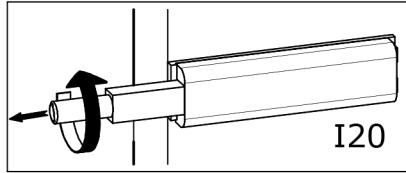
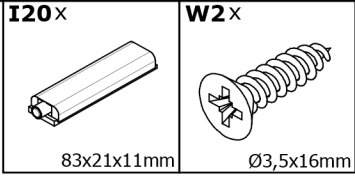


?

A

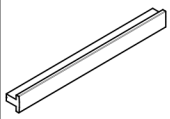
B

A



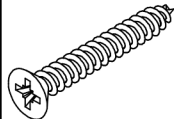
B

U18 / U19



200 / 300mm

W5

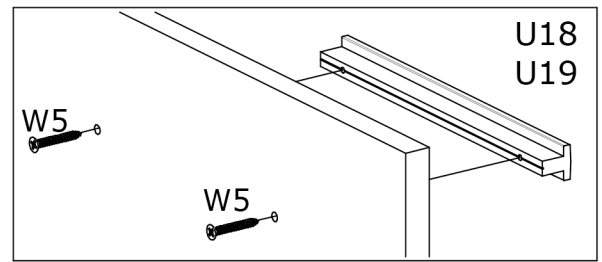
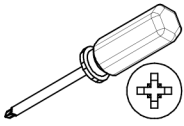


Ø4x30mm

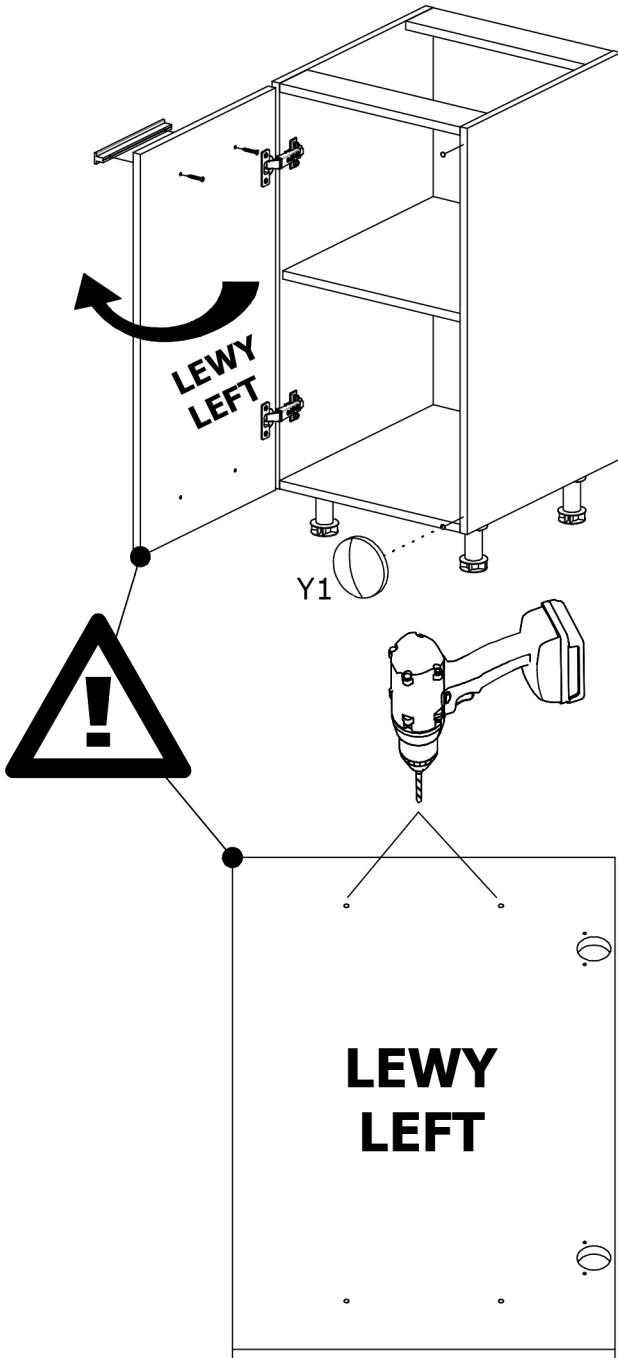
Y1



Ø8x1,5mm



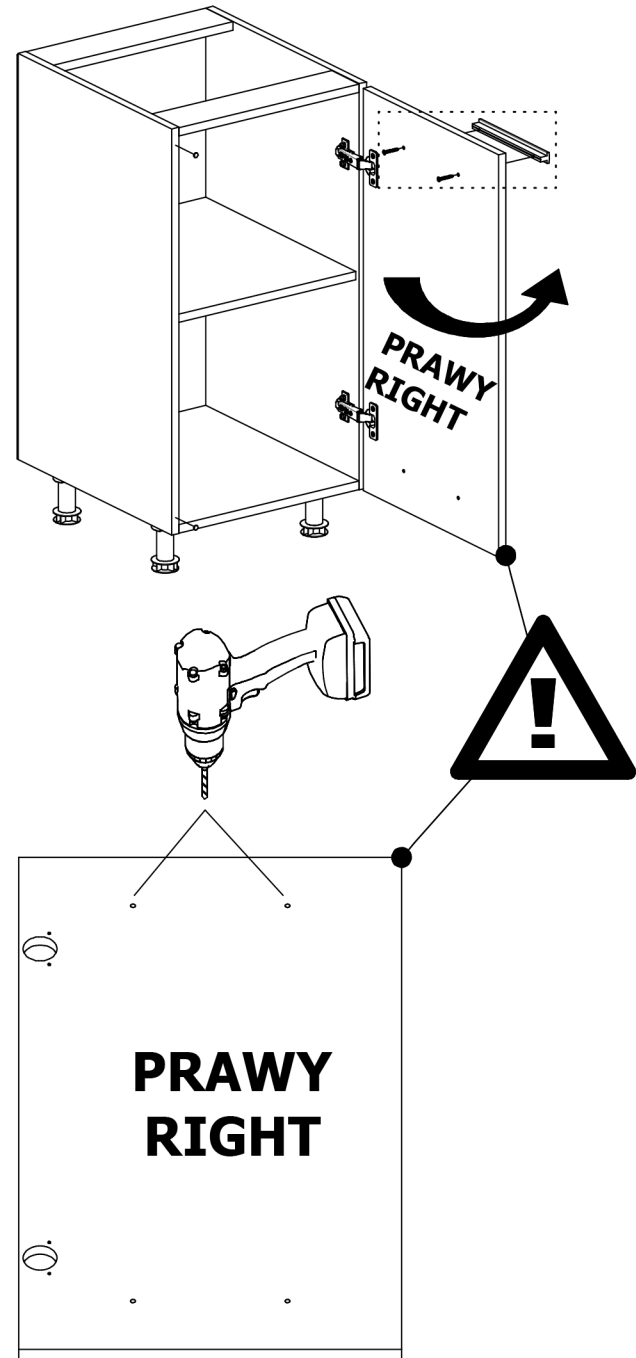
U18
U19



LEWY
LEFT

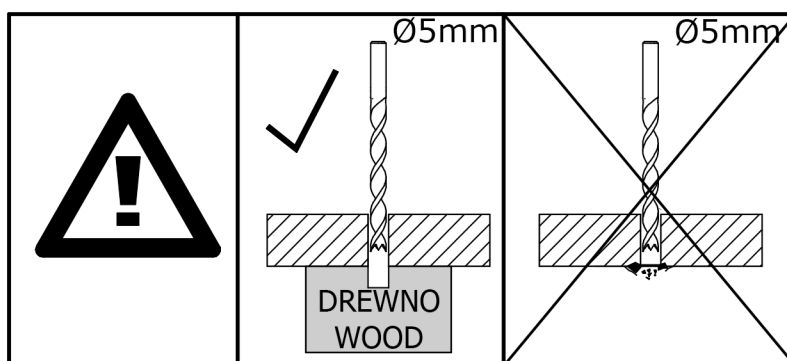
Y1

LEWY
LEFT



PRAWY
RIGHT

PRAWY
RIGHT



Ø5mm

Ø5mm

DREWNO
WOOD